



# STURFER

## OPERATION MANUAL



## CONTENTS

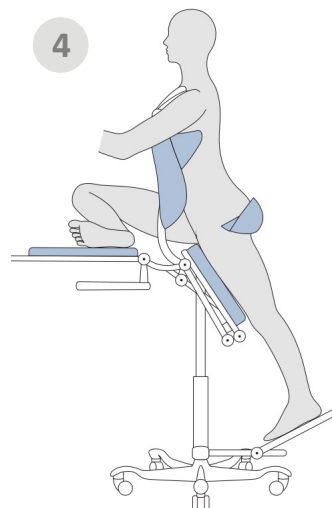
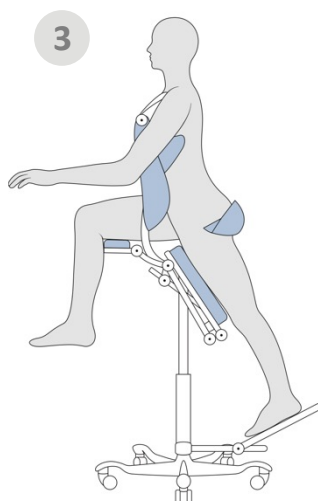
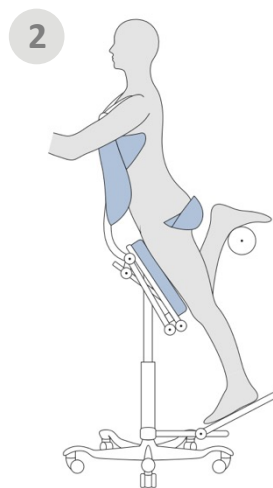
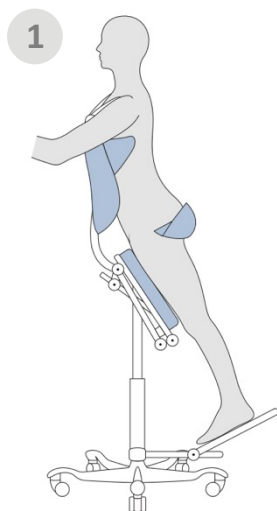
INTENDED USE	3
PART IDENTIFICATION	4
DIFFERENT POSITIONS	5
HEIGHT ADJUSTMENT IN SITTING MODE	5
SYNCHRONOUS MECHANISM	6
SWITCHING FROM SIT MODE TO STEPPING MODE	6
MODIFICATION OF THE CYMBAL PUSHER	7
FUNCTIONS OF THE PELVIC PUSHER	8th
HEADREST ADJUSTMENT	9
ADJUSTMENT OF THE BACK	10
LEG SUPPORT ADJUSTMENT	11
STORING THE LEG SUPPORT	12
FOLDING AWAY THE ARMRESTS	12
FOOTREST ADJUSTMENT	13
FOOT PLATE ADJUSTMENT	14
KNEE PAD ADJUSTMENT	15
CARE INSTRUCTIONS	16
CLEANING	16
A NOTICE	16

## IN ACCORDANCE USE

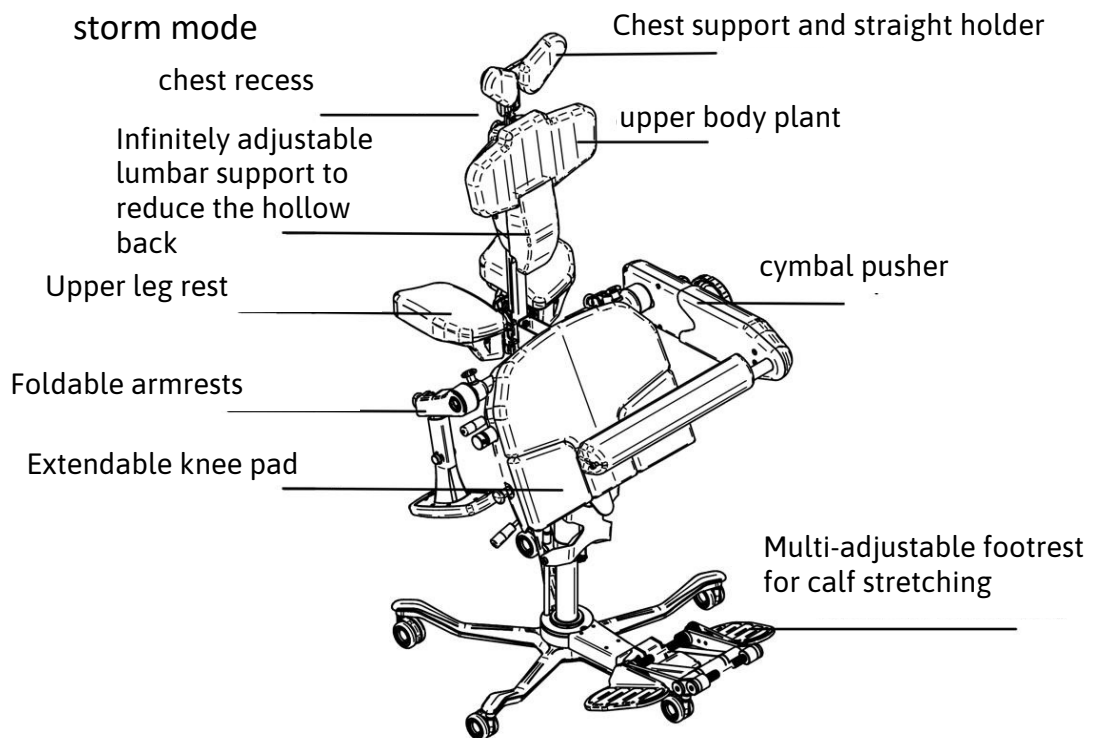
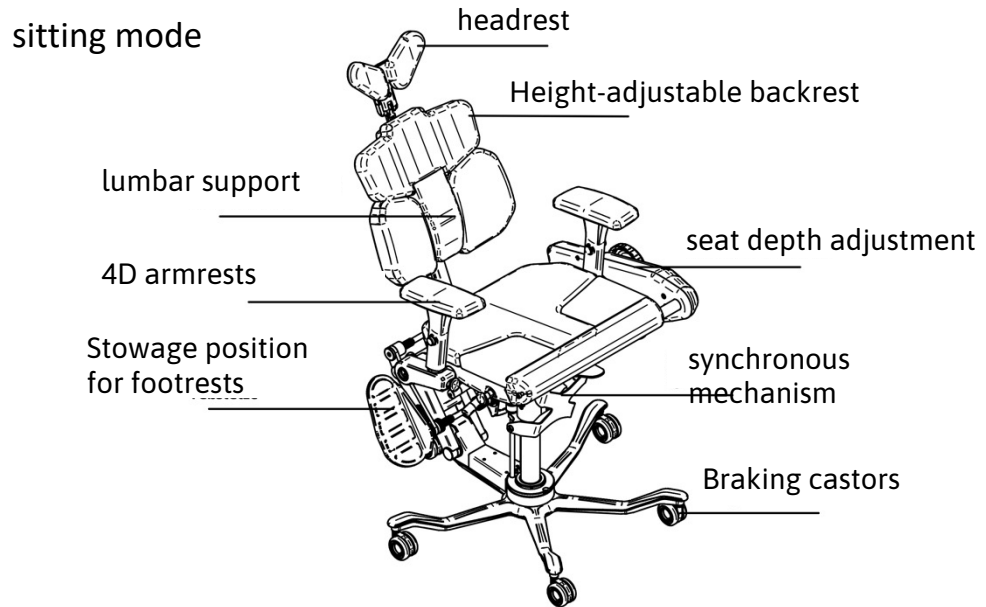
In seated mode, the Sturfer is like an ordinary one to use an office chair.

In stump mode , the Sturfer may only of Figures 1-4 can be used.

Sturfig mode 37° & 50° respectively.



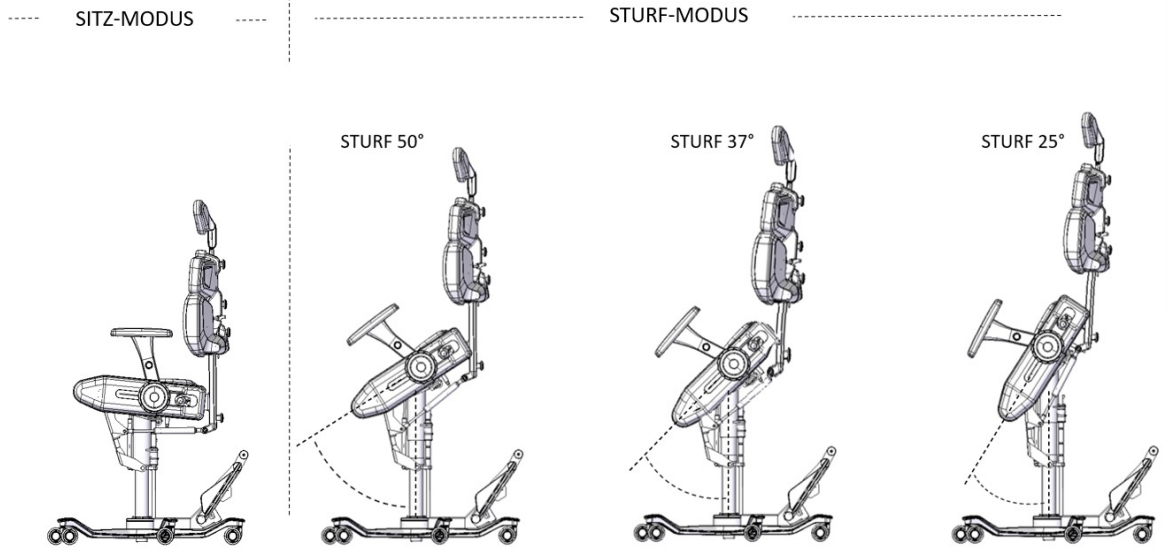
## PART IDENTIFICATION



### DANGER

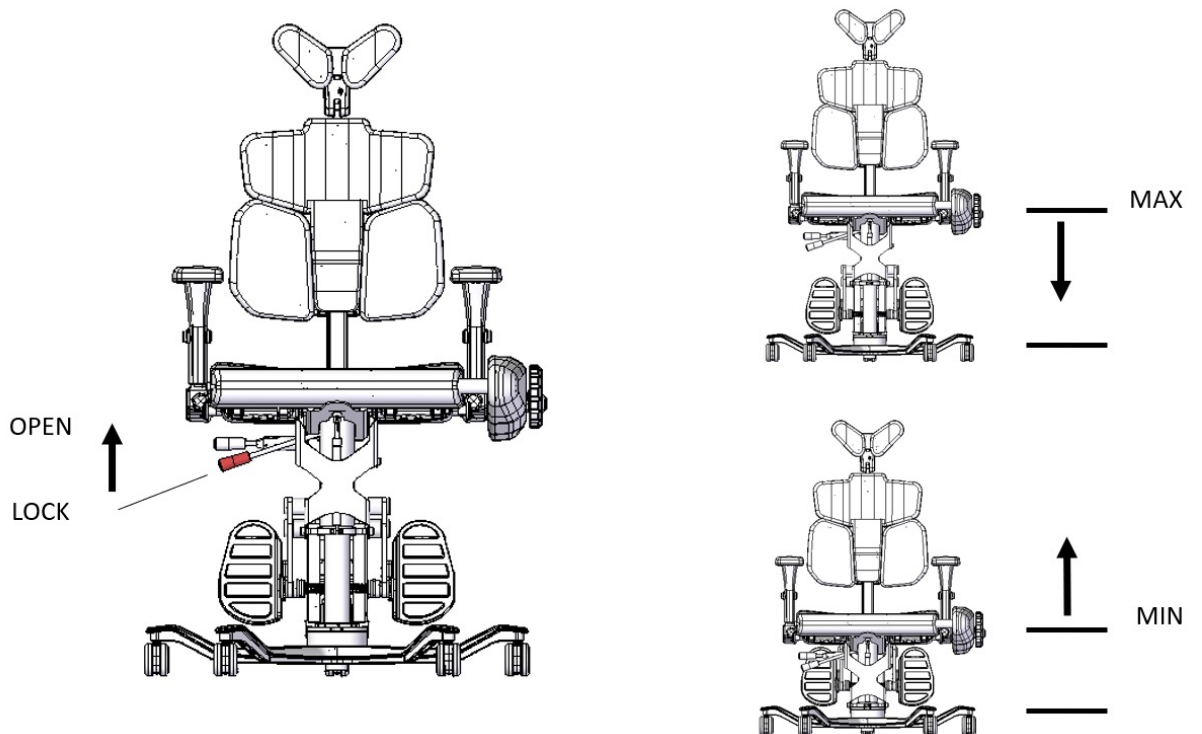
The sturfer is **NOT allowed!** be used with a hip prosthesis in stump mode.

## DIFFERENT POSITIONS

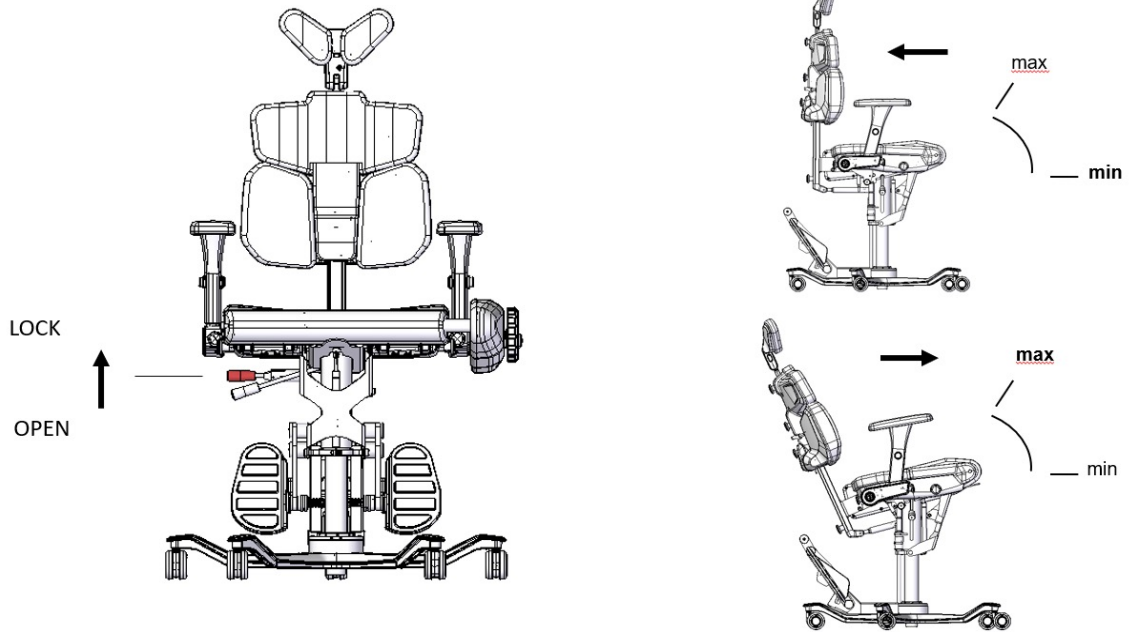


www.sturfer.com

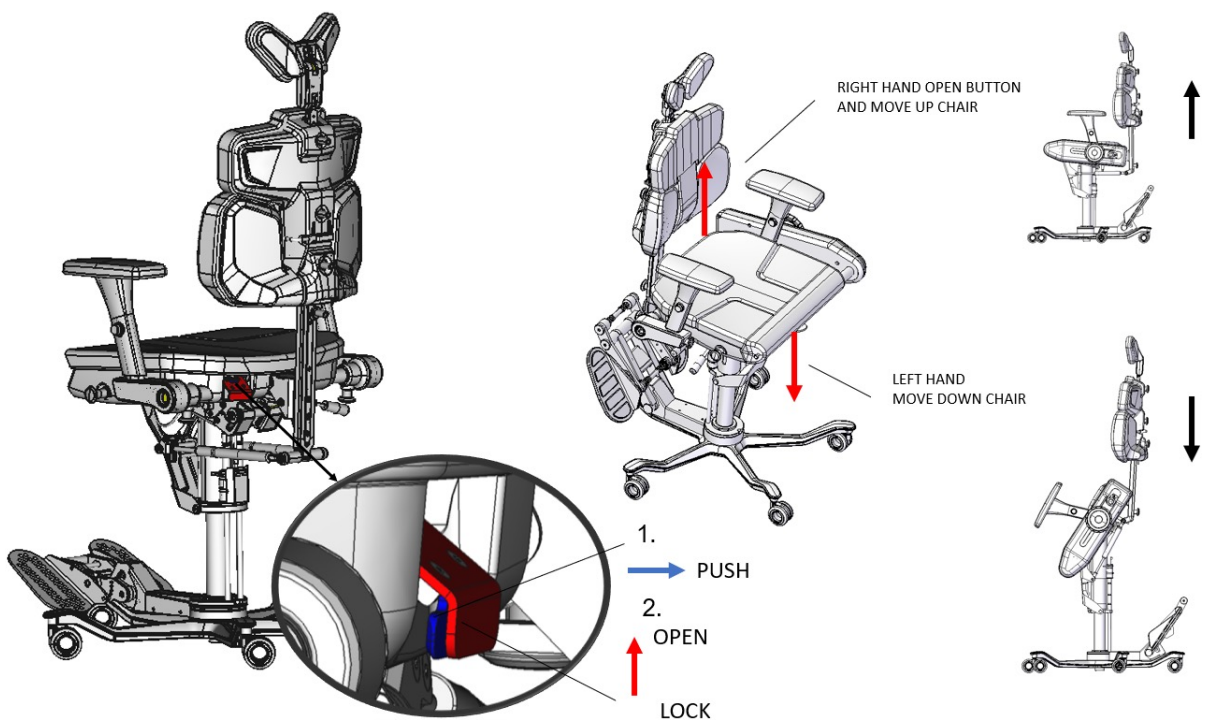
## HEIGHT ADJUSTMENT IN SITTING MODE



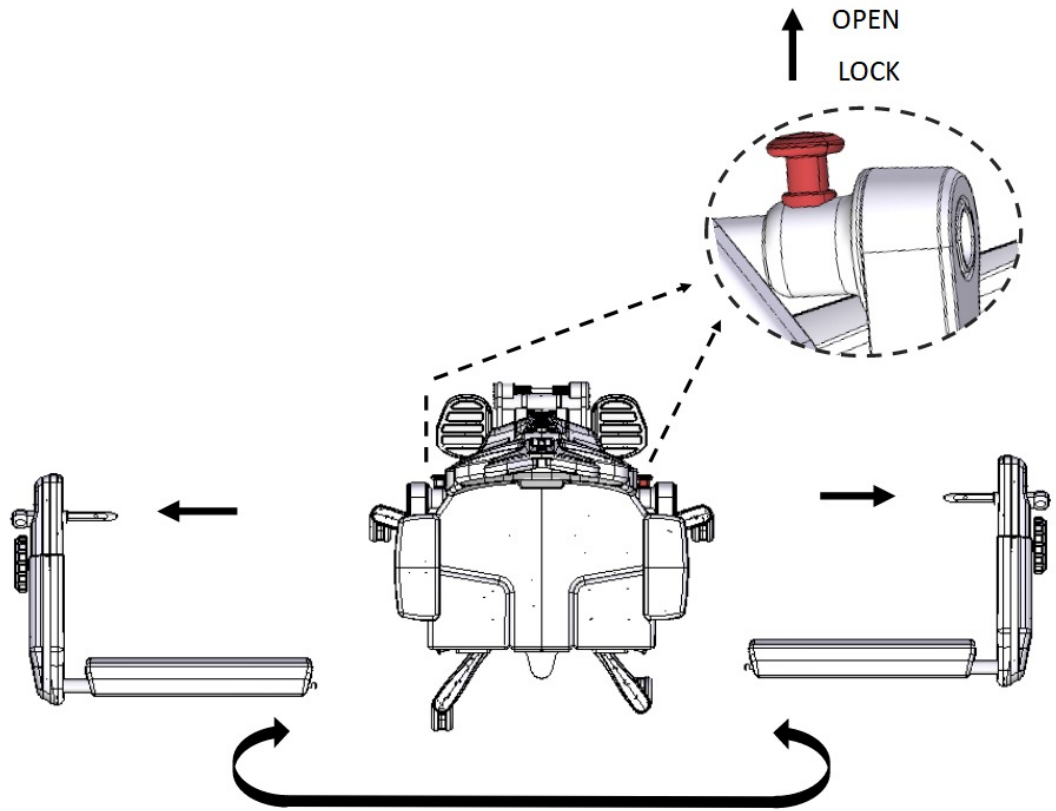
## SYNCHRONOUS MECHANISM



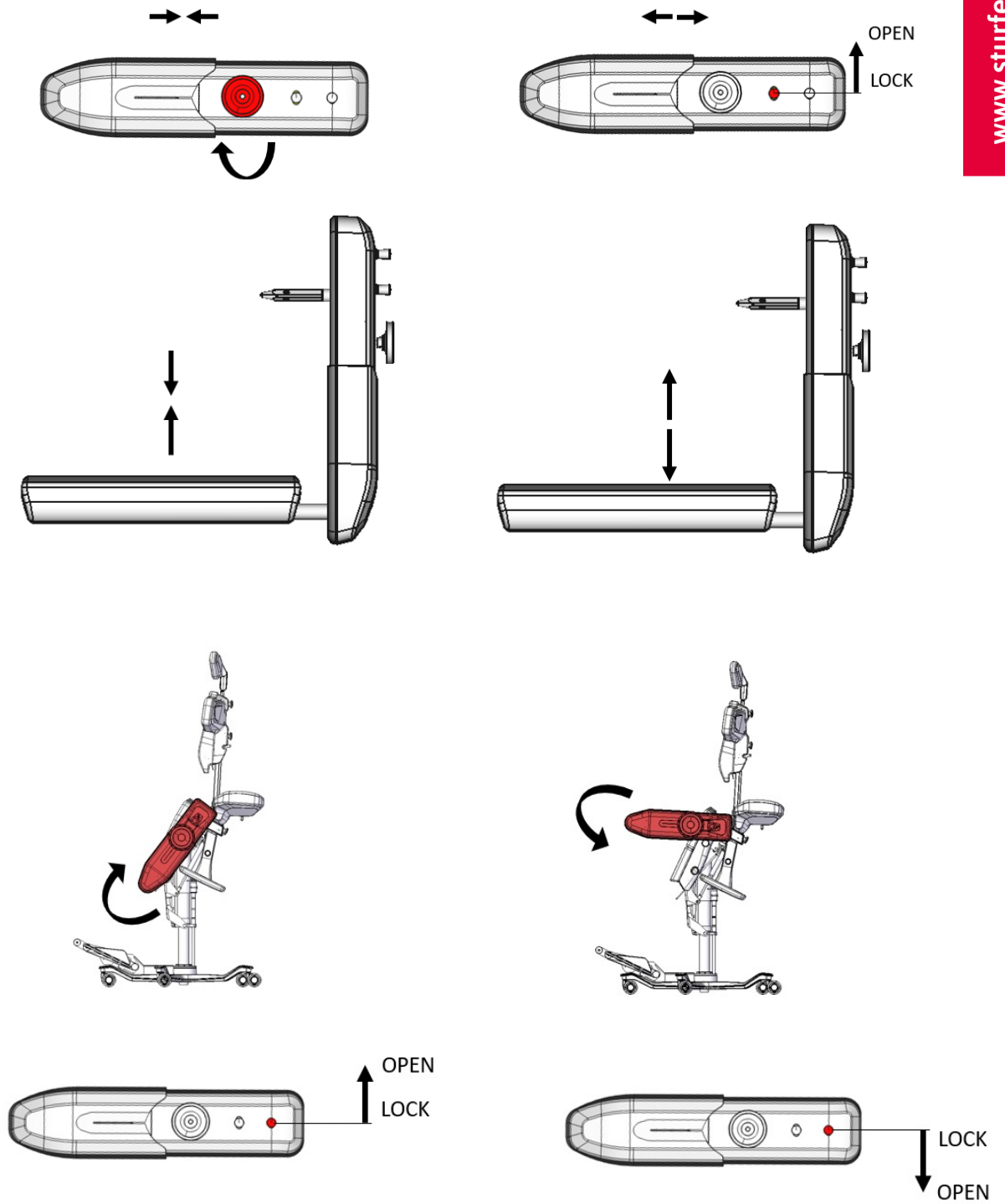
## SWITCHING SEAT MODE TO STORM MODE



## MODIFICATION OF THE CYMBAL

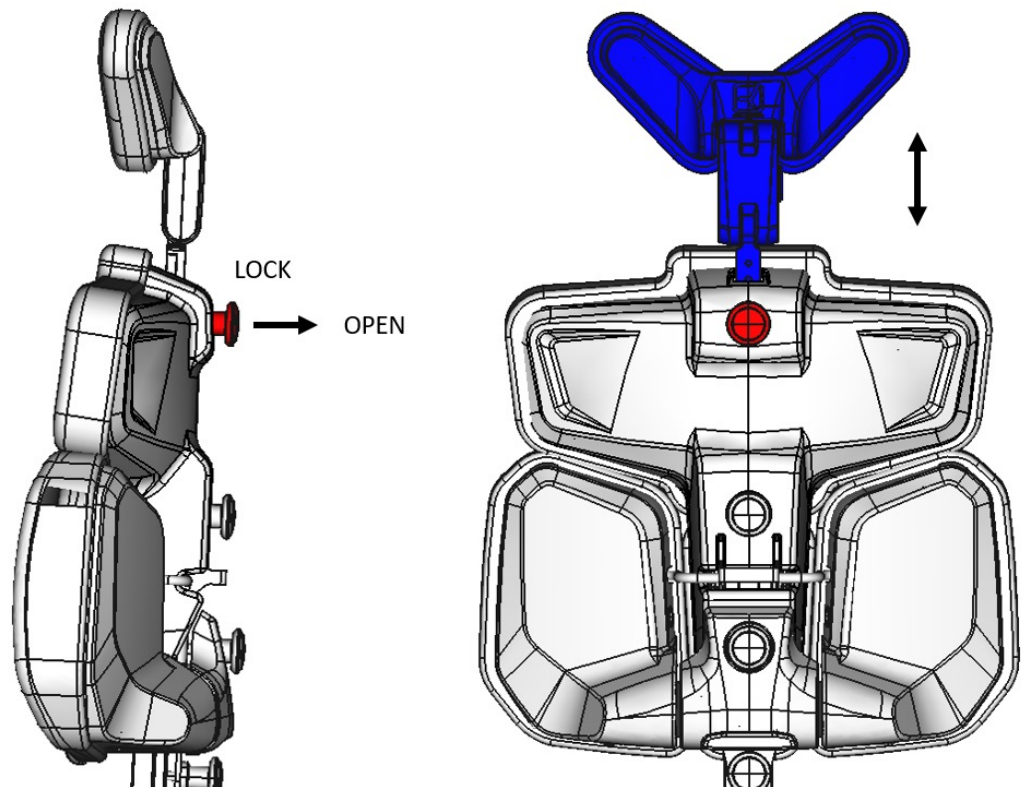
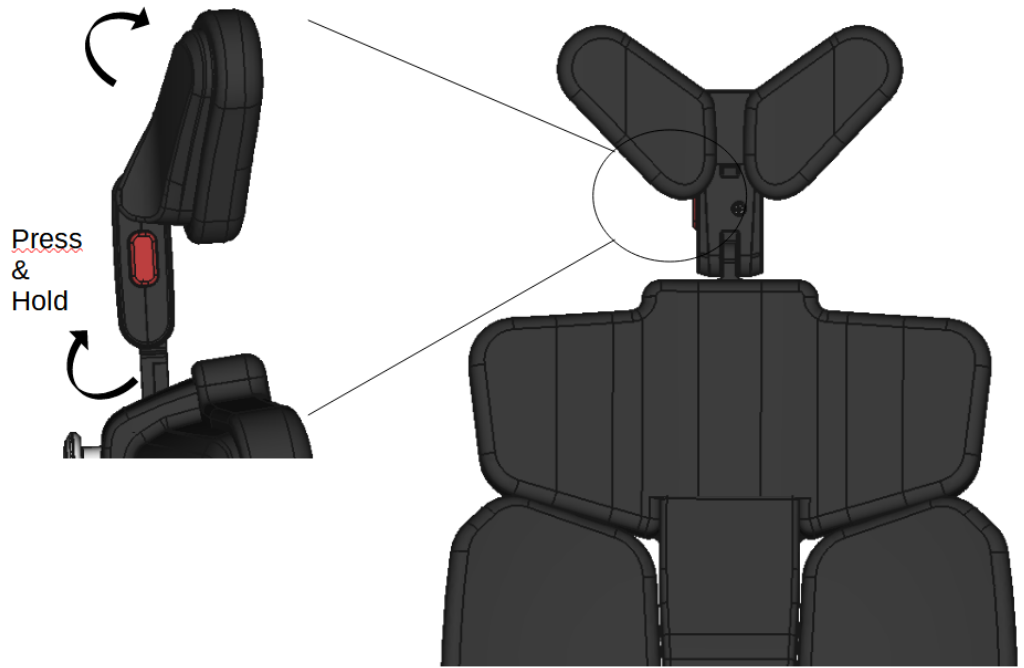


## FUNCTIONS OF THE PELVIC PUSHER

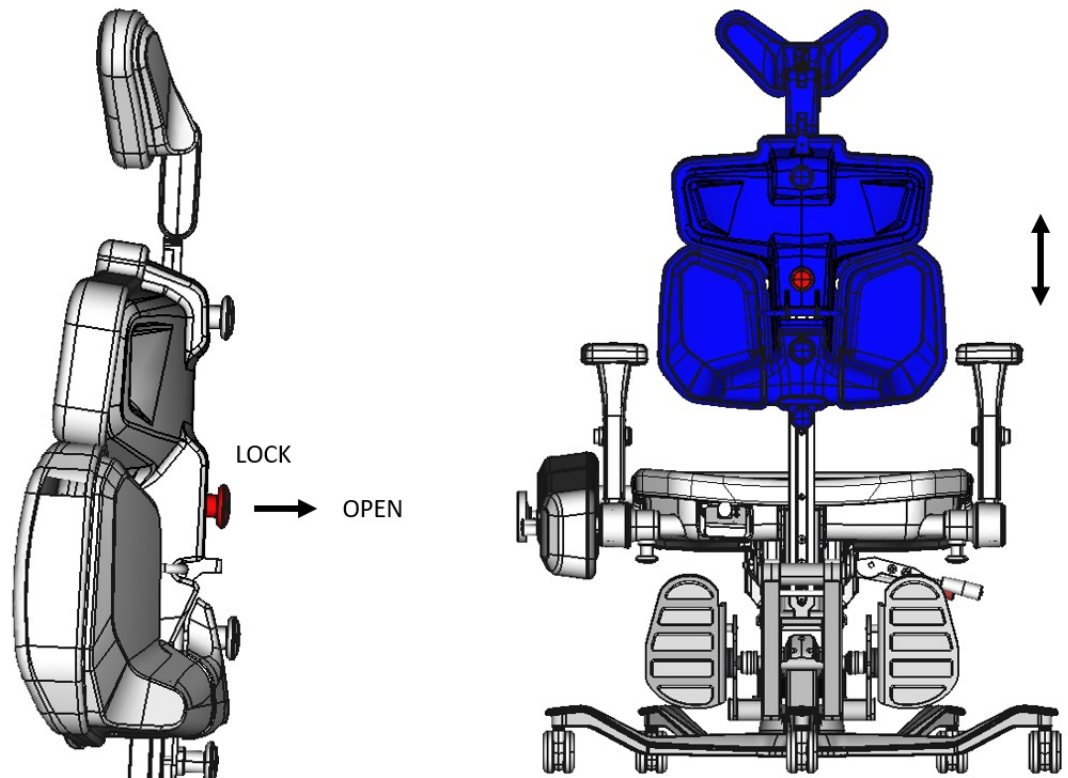




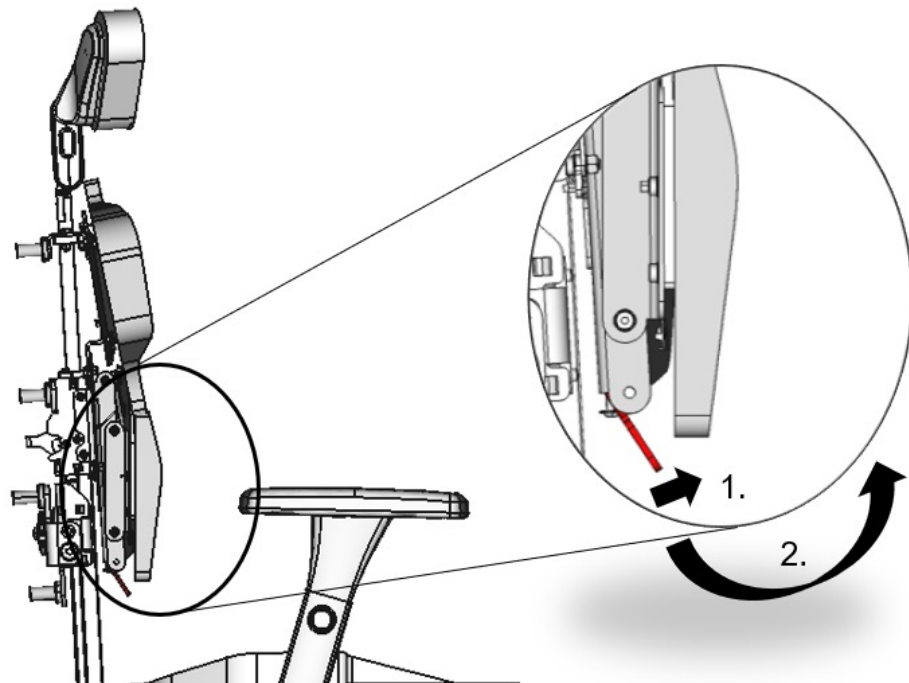
## HEADREST ADJUSTMENT



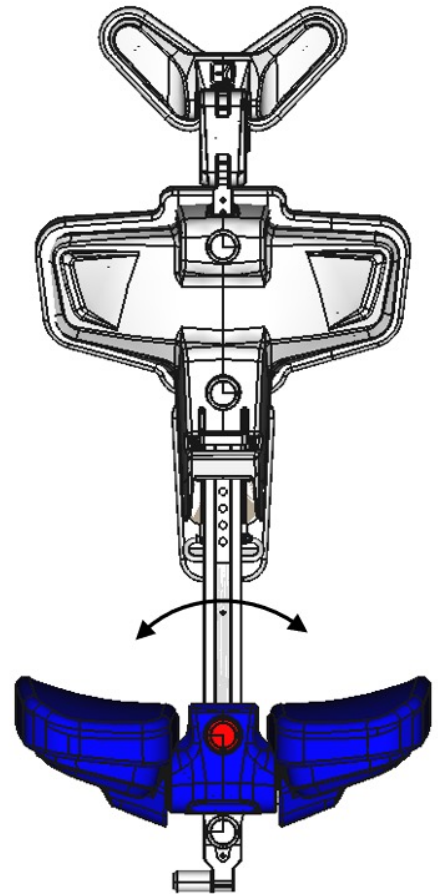
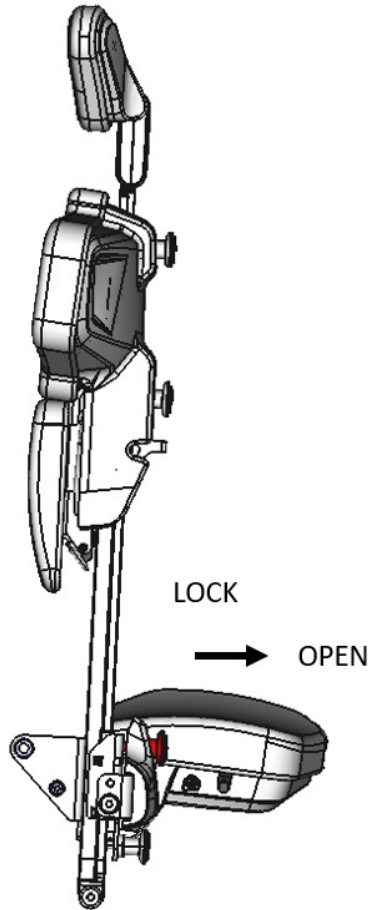
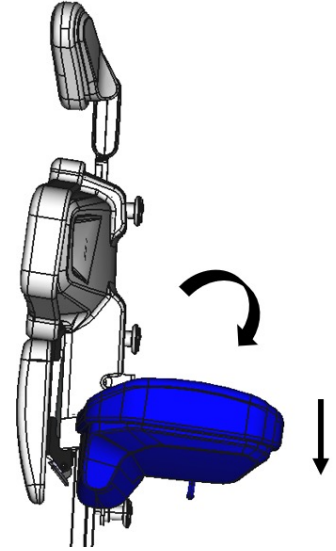
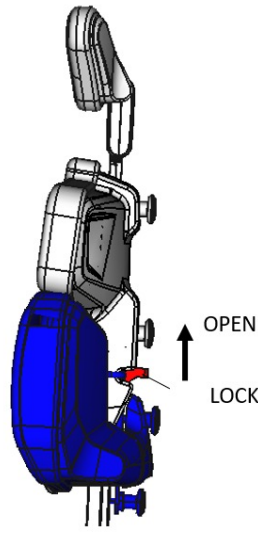
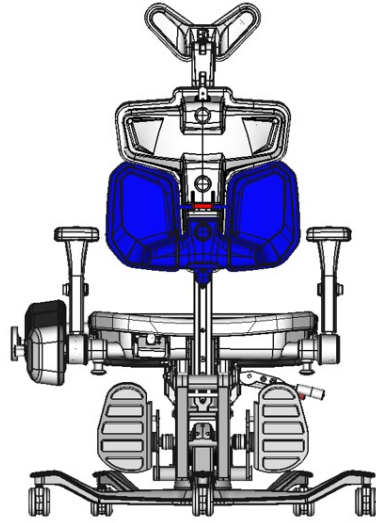
## ADJUSTMENT OF THE BACK



## LUMBAR SUPPORT ADJUSTMENT



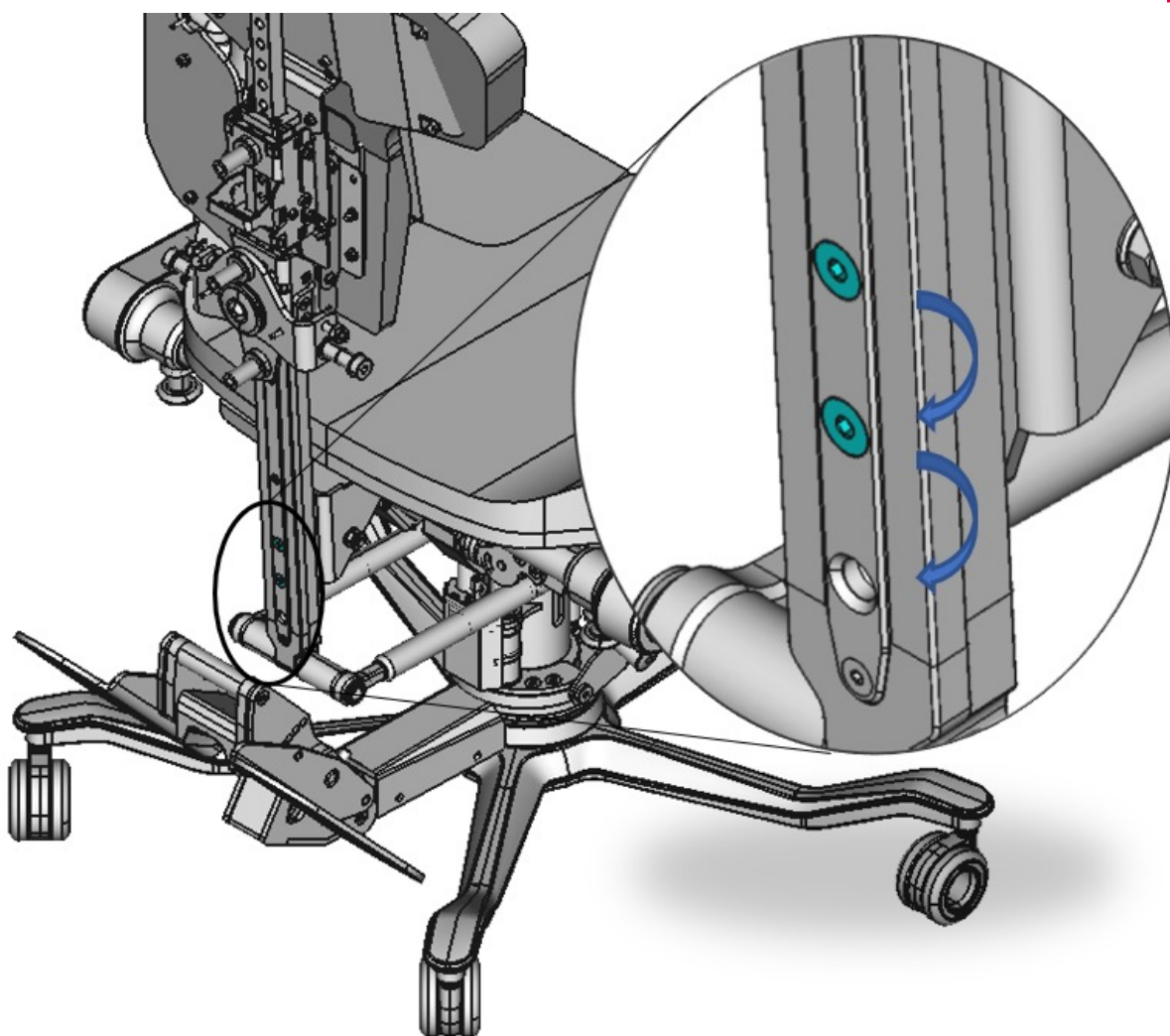
## LEG SUPPORT ADJUSTMENT



## LEG SUPPORT HEIGHT ADJUSTMENT

Basic setup:  
(fits at 80%  
the user)

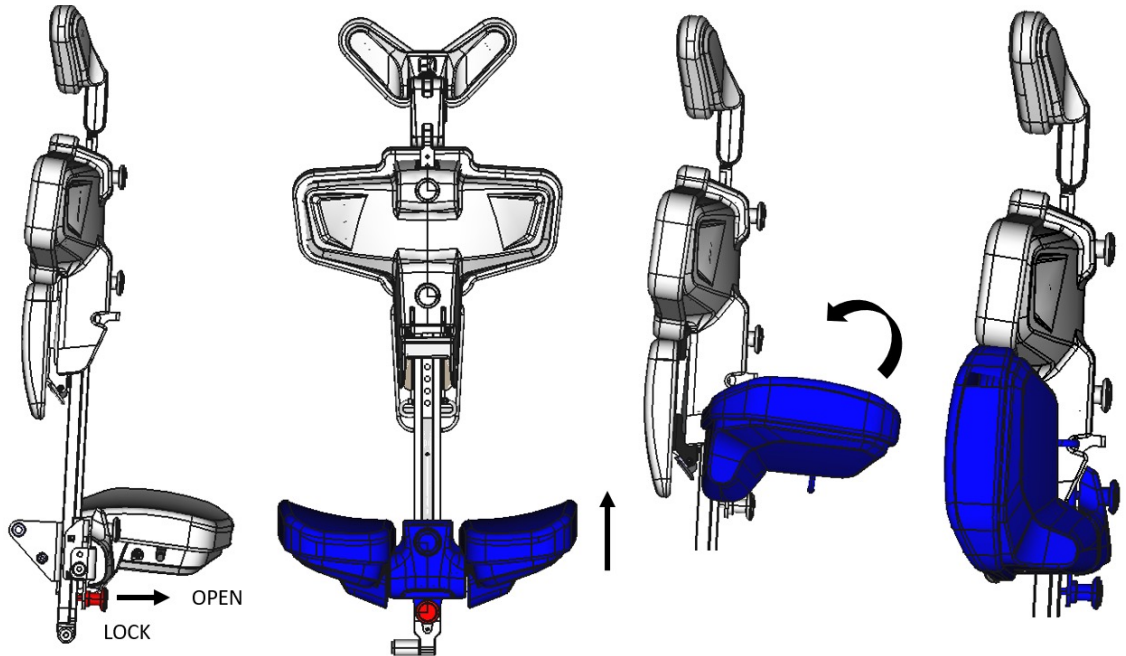
- screw
- Free
- screw



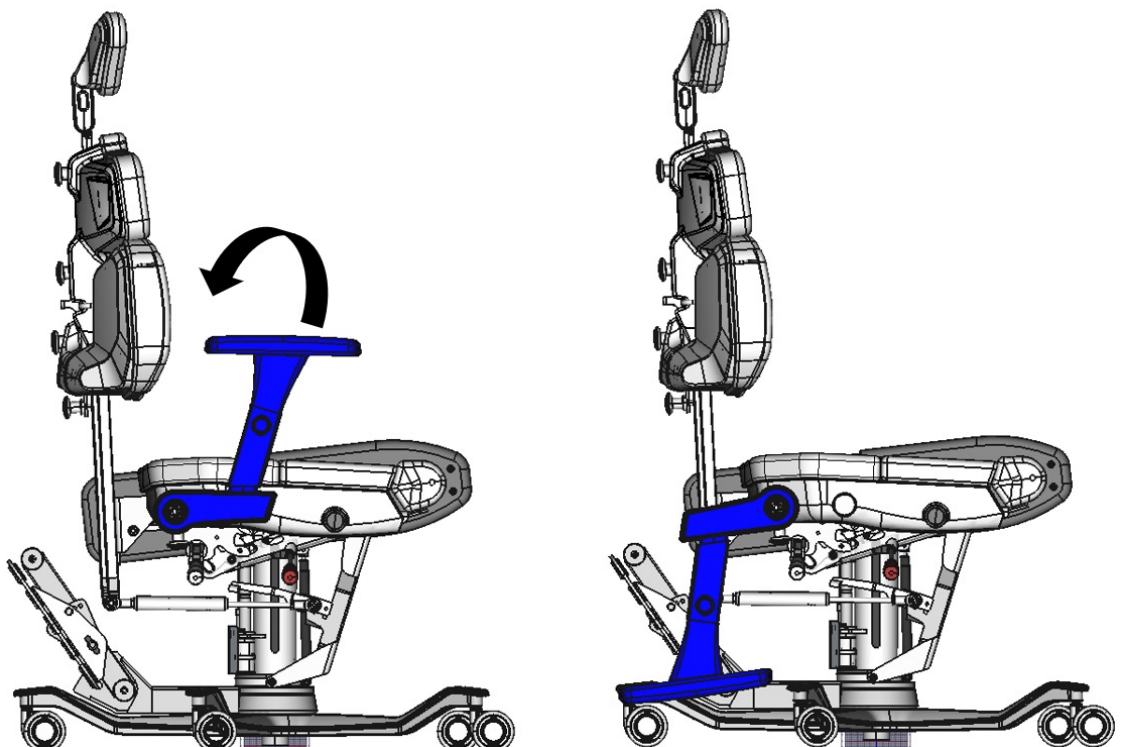
- For shorter  
inseam:
- screw
  - screw
  - Free

- For longer  
inseam:
- Free
  - screw
  - screw

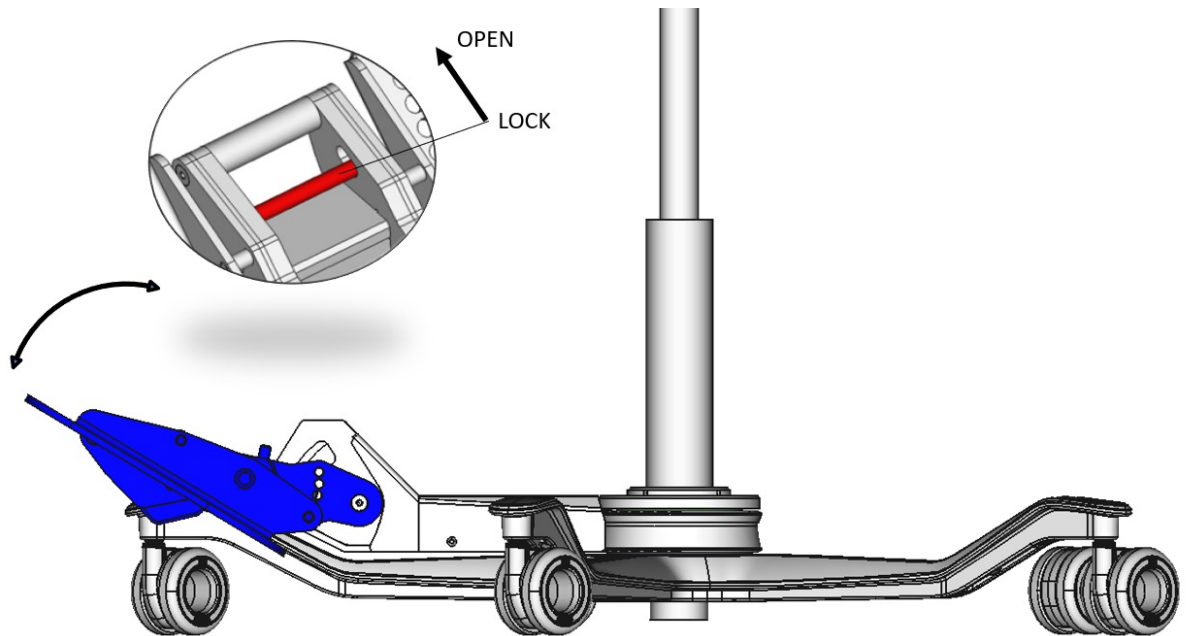
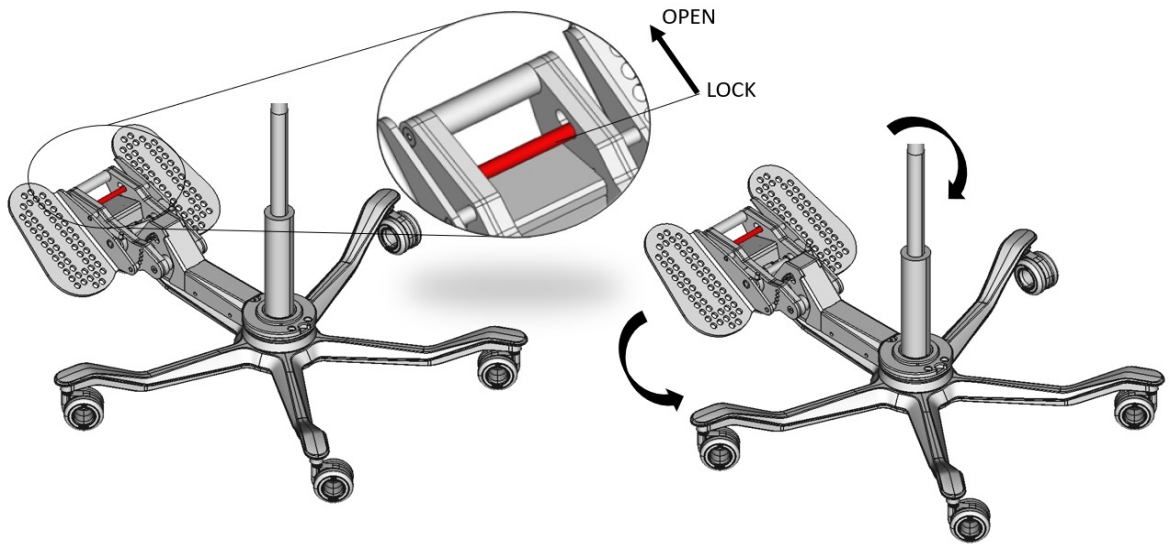
## STORING THE LEG SUPPORT



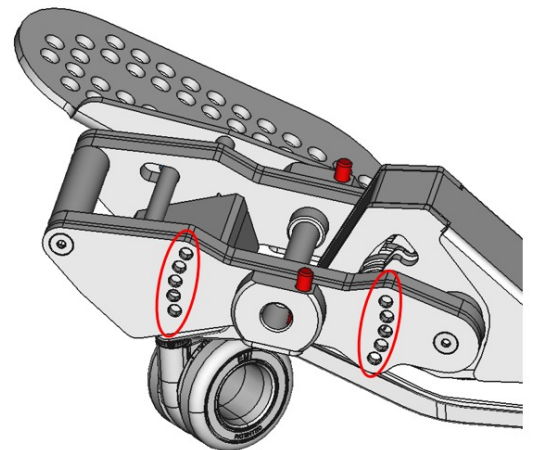
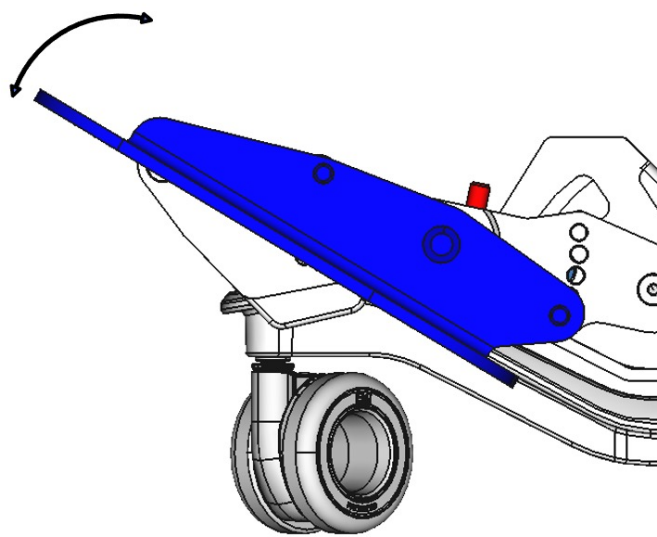
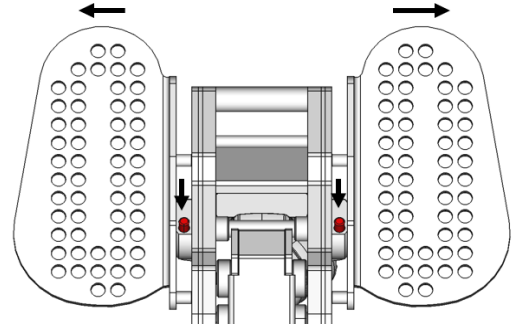
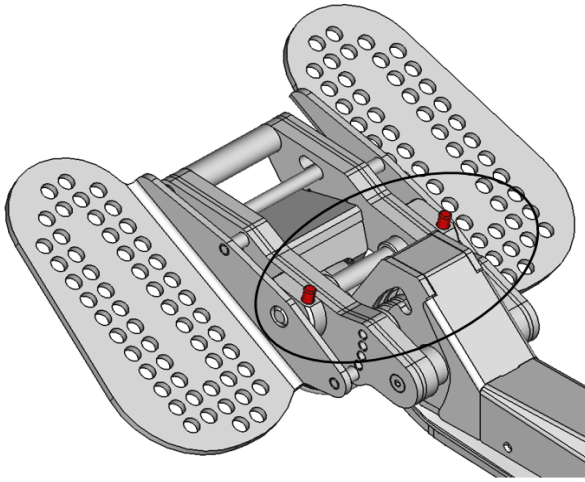
## FOLDING AWAY THE ARMRESTS

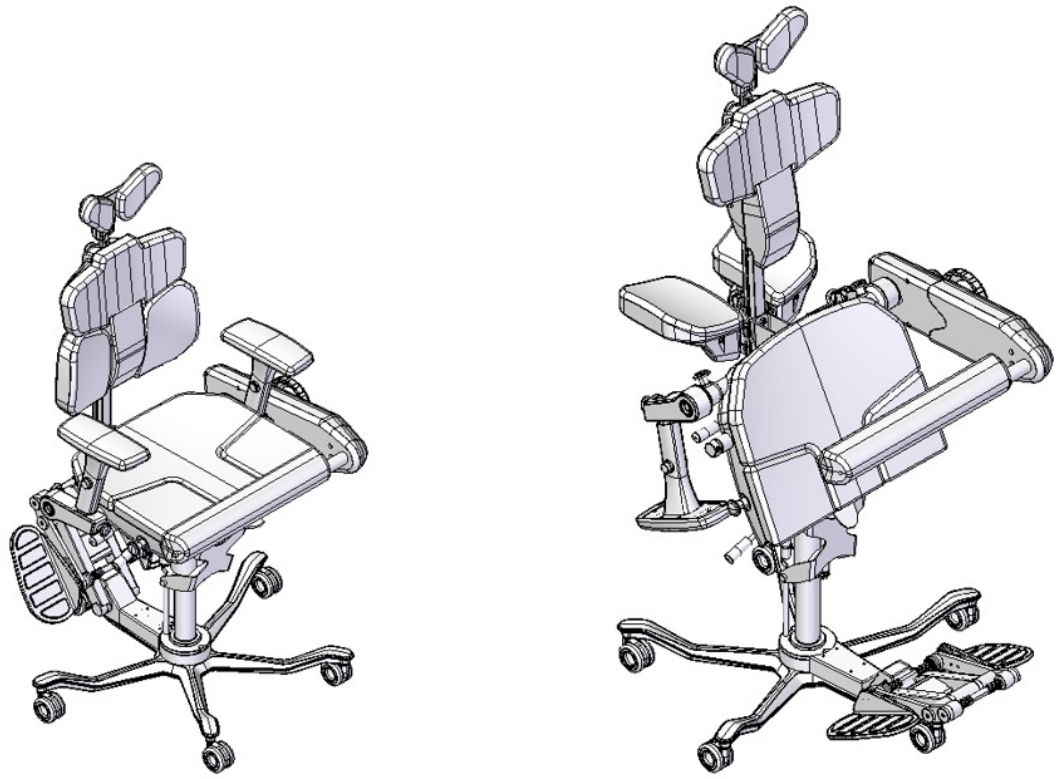


## FOOTREST ADJUSTMENT

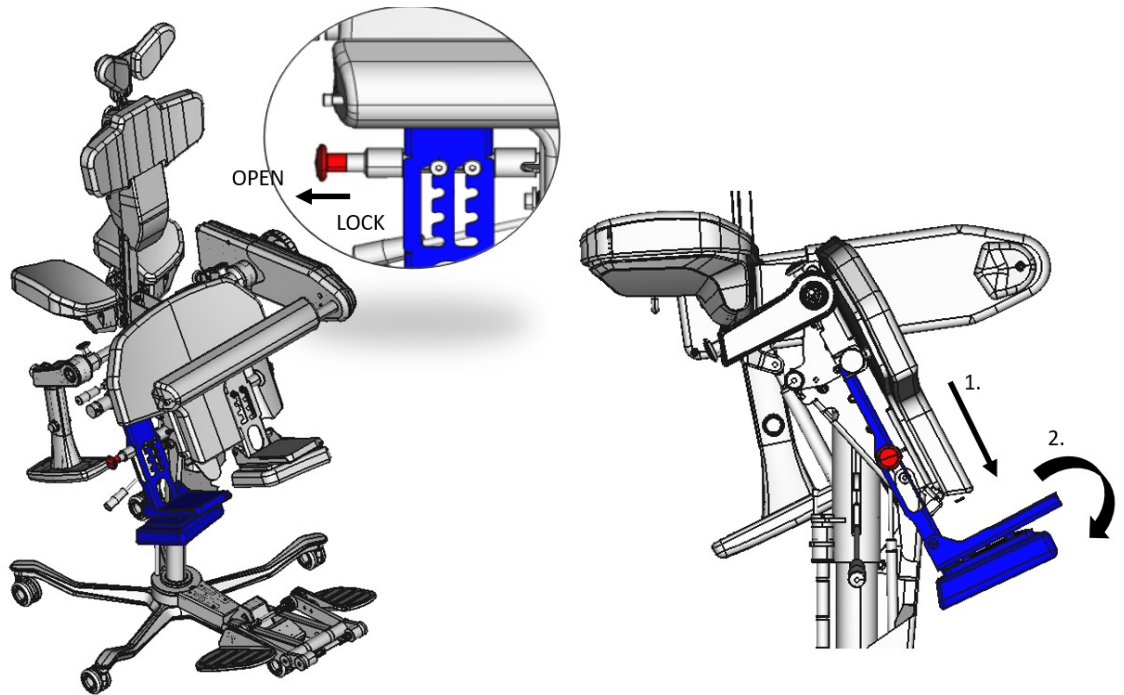


## FOOT PLATE ADJUSTMENT



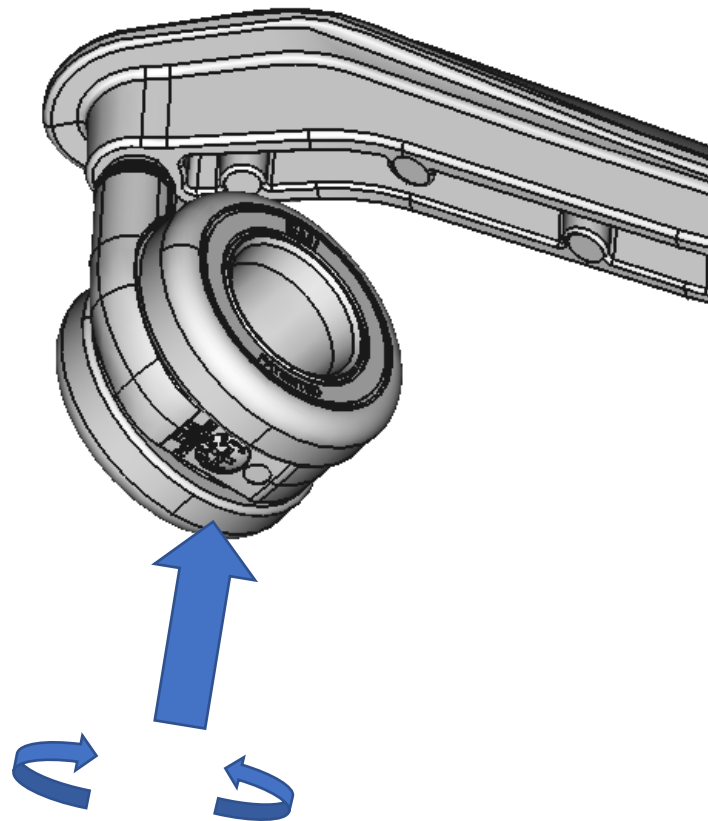


## KNEE PAD ADJUSTMENT





## ROLLER BRAKING FORCE ADJUSTMENT



Clockwise:  
weaker

Counterclockwise:  
tighter

## CARE INSTRUCTIONS

The following care instructions are recommendations. For general surfaces we recommend one damp rag. We generally advise you to use environmentally friendly cleaning agents and maintaining your STURFER regularly and in a timely manner. Before using a cleaning agent for the first time, you should try it on an inconspicuous area and follow the cleaning agent manufacturer's instructions. For stubborn dirt, you should always contact a professional cleaning company.

### Cover fabrics:

To care for upholstery fabrics, it is sufficient if you regularly vacuum up dust and fluff with an upholstery nozzle. Stain removal: You can quickly remove fresh stains by immediately wiping them up with an absorbent, lint-free sponge cloth or similar. Always clean from the edge of the stain towards the centre. Use normal household distilled water so that no lime film remains on dark fabrics after drying.

Never rub heavily on the surface of upholstery fabrics. Please never use cleaning products containing solvents yourself.

## **plastics:**

The STURFER plastics are robust, have a high form and color stability and are therefore resistant to many media. However, if you expose your STURFER to the sun for a longer period of time, the color can still change. We recommend that you do not expose the STURFER to the sun longer than necessary. For cleaning plastic we recommend a soft, damp cloth without a rough surface.

## **Metal:**

You can use any glass cleaner on a clean, soft cloth to quickly remove dirt from polished gloss, matt chrome and aluminum surfaces.

Powder-coated surfaces should be cleaned with aqueous solutions of neutral (pH 5-8) detergents or cleaning agents and with soft, non-aggressive cloths. Please always clean metal surfaces carefully and without scrubbing so that the surface is not scratched. Never use cleaning agents that contain granular substances, acetic acid or citric acid.

## **Spot removal:**

We recommend using mild, commercially available cleaning agents to help remove stains. Do not use abrasive cleaning aids / cleaning aids, as these attack the surfaces.

Please be sure to follow the recommendations in this care guide. We exclude any liability for damage or injury resulting from non-compliance with these care instructions.

## CLEANING

- Clean with a cloth slightly moistened with water (possibly a commercially available dishwashing liquid/water mixture is also permissible)
- Do not use aggressive cleaning agents (if in doubt, test on an inconspicuous area)

## A NOTICE

Only trained personnel may replace and work on the seat height adjustment elements .

For safety reasons, care must be taken that the rollers are on the floor in an unloaded state of the application area does not slip.

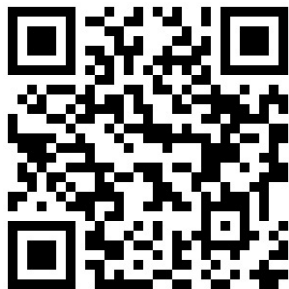
If possible, the sturfer should only be moved on its rollers. Only lift at the base.

The plain bearings of the Sturfer can still be a bit stiff at the beginning because they have to be broken in first. This is completely normal behavior.

More explanations and videos for use, see [www.sturfer.com](http://www.sturfer.com)

## HOTLINE

+49 8654 / 589966 – 0  
info@sturfer.com



sturfer.com

Detailed instructions for using the Sturfer :



VIDEO INSTRUCTIONS